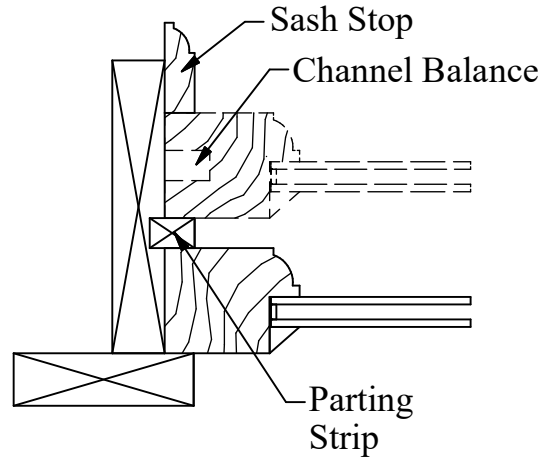
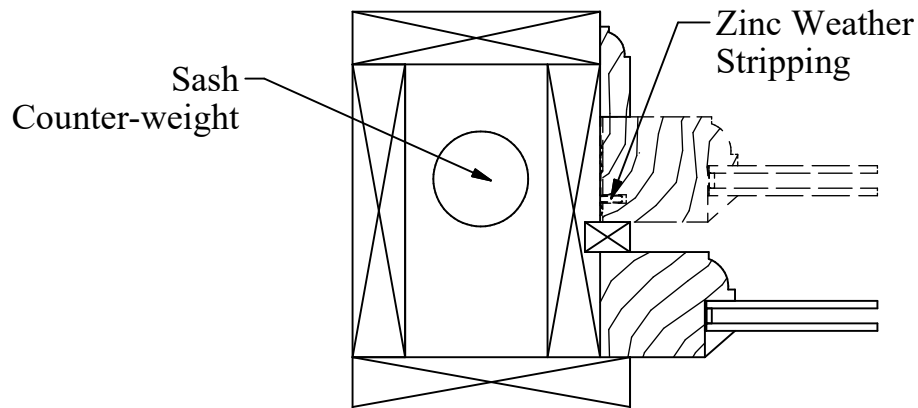


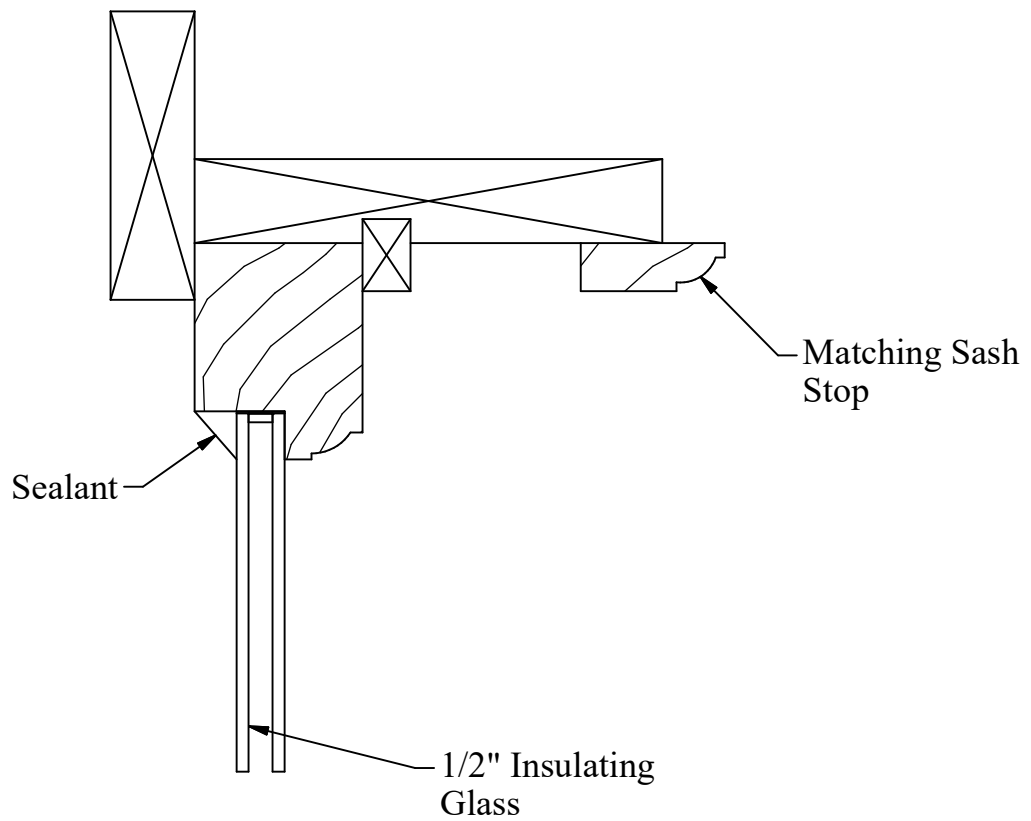
Typical Window Section



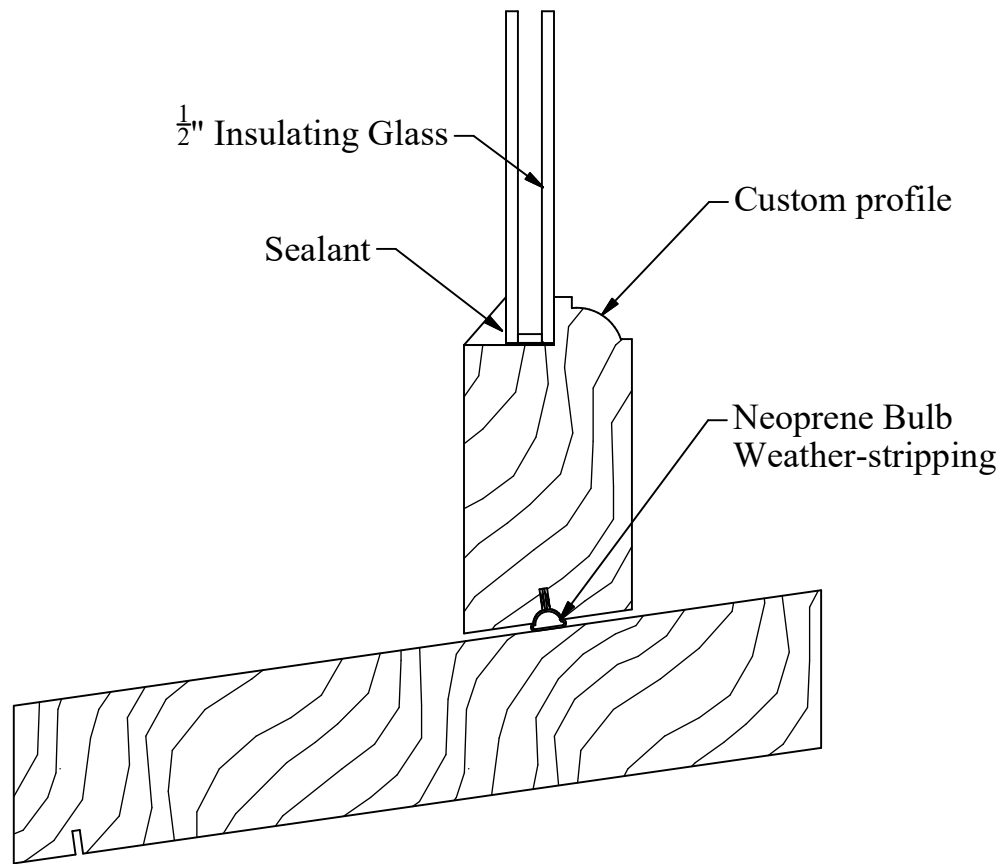
**Typical Jamb  
for Channel Balance**



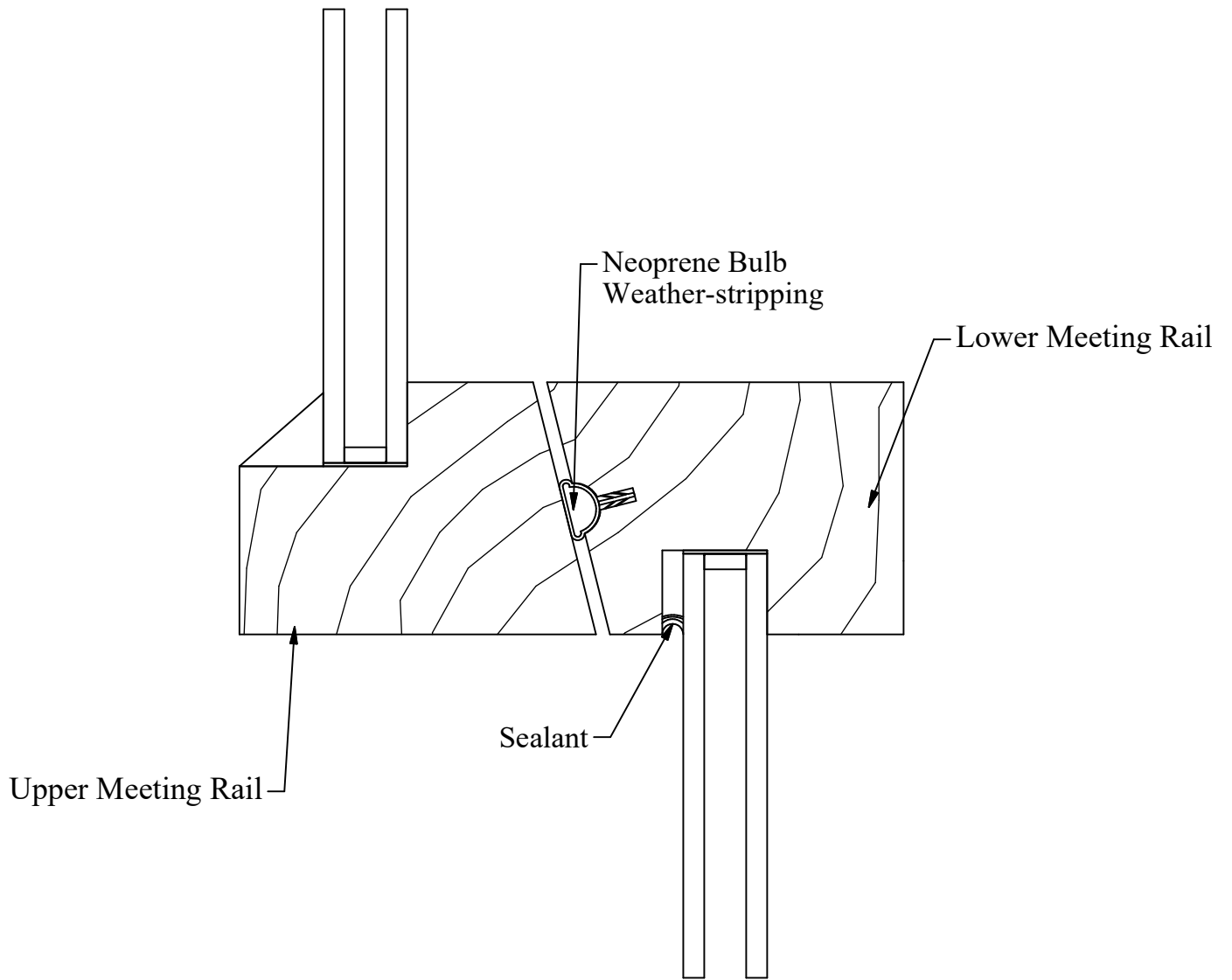
**Typical Jamb  
For Weight & Pulley**



Typical Head Detail



Typical Bottom Rail and Sill Detail



Typical Meeting Rail Detail